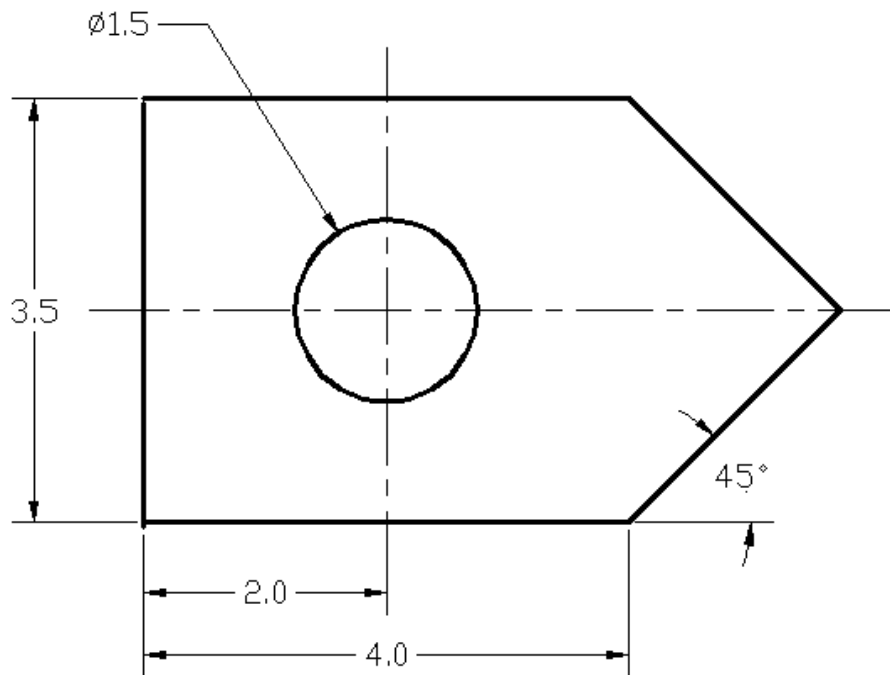
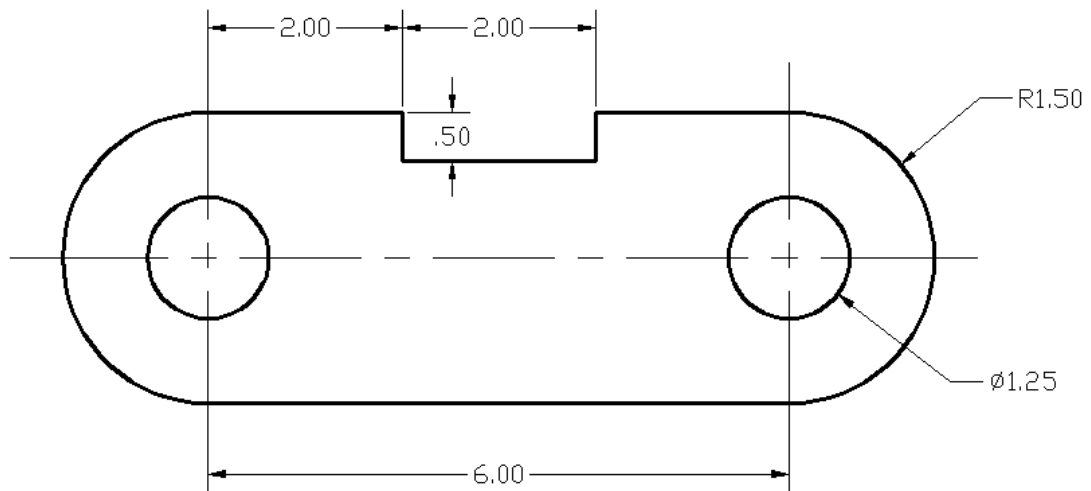


(Unless otherwise specified, dimensions are in inches.)

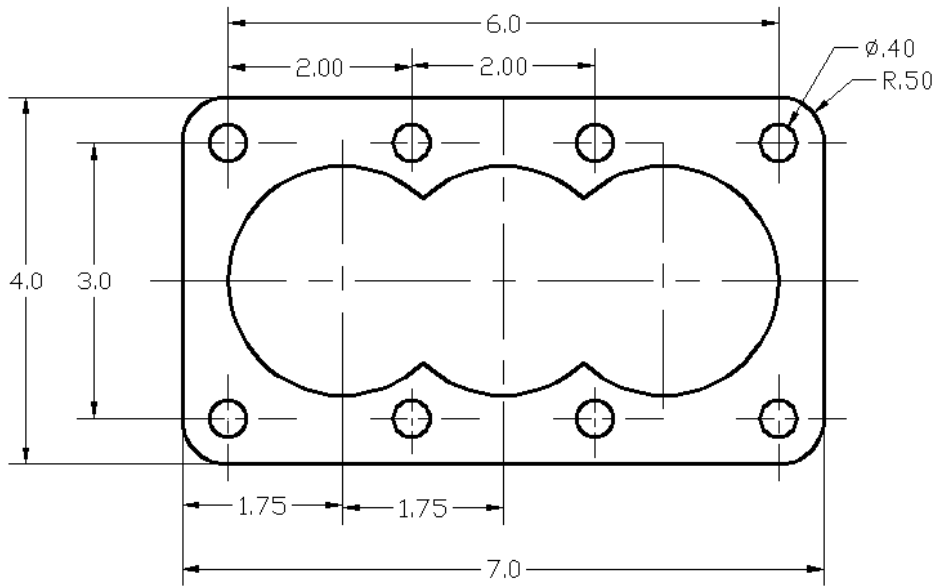
1. Plate thickness: .25



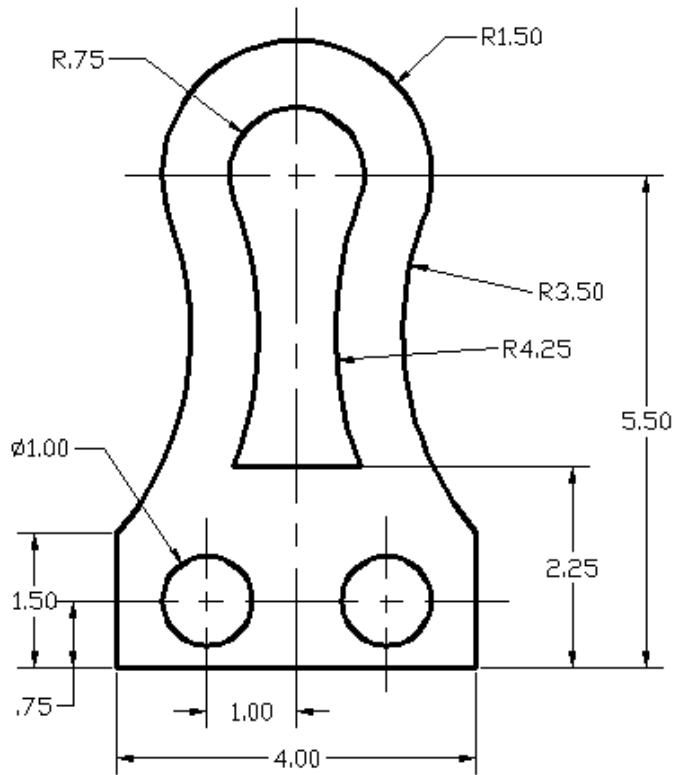
2. Plate thickness: .25



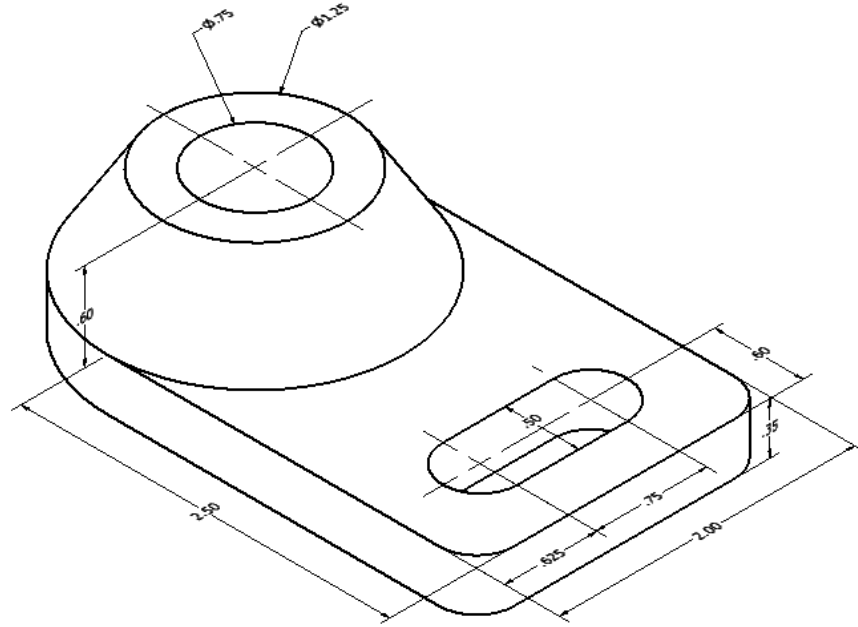
3. Plate thickness: .25



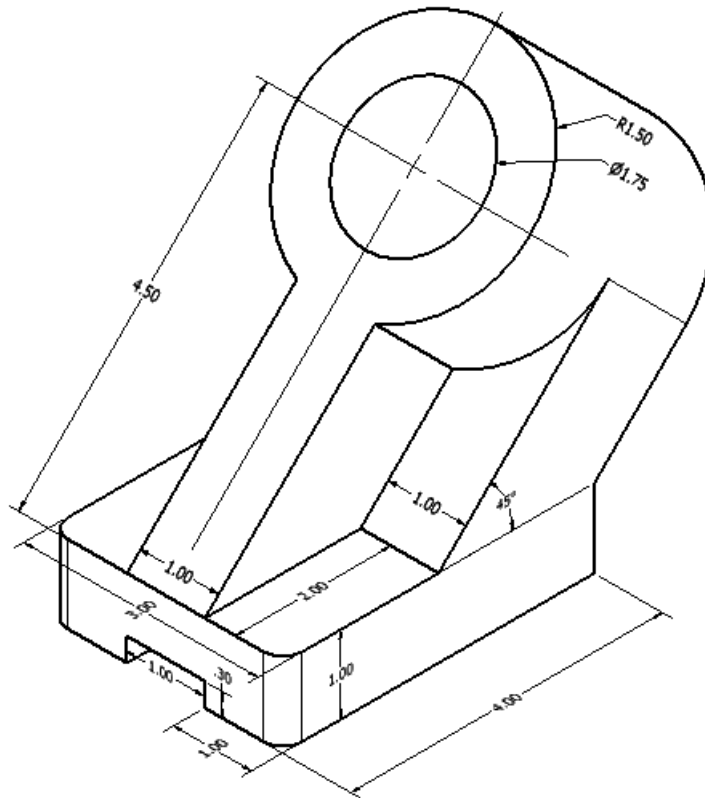
4. Plate thickness: .25



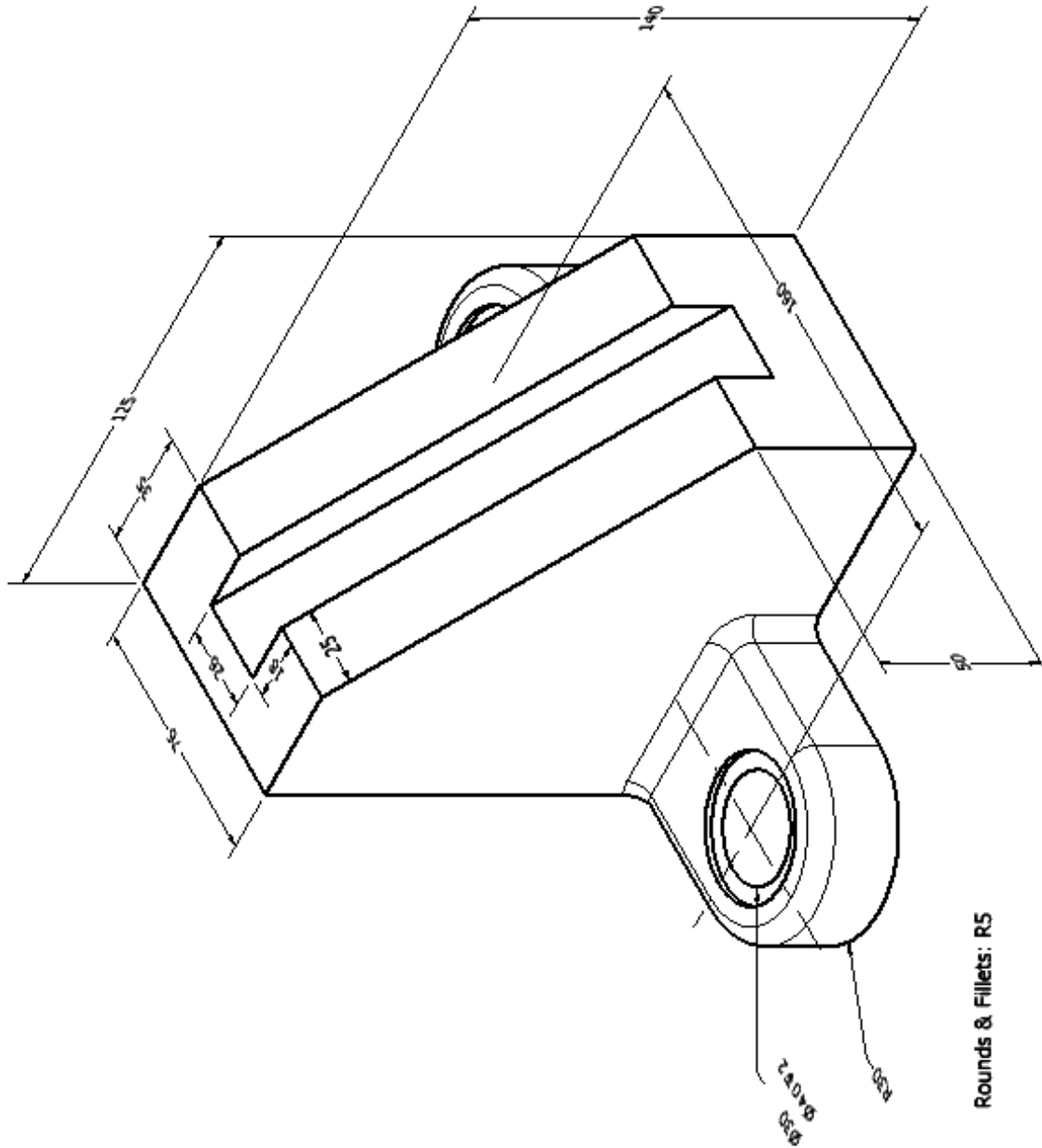
5.



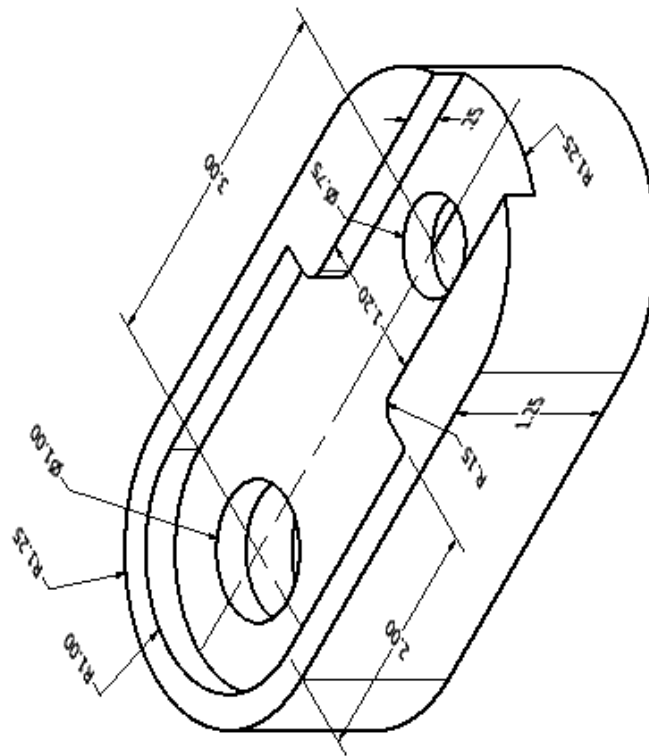
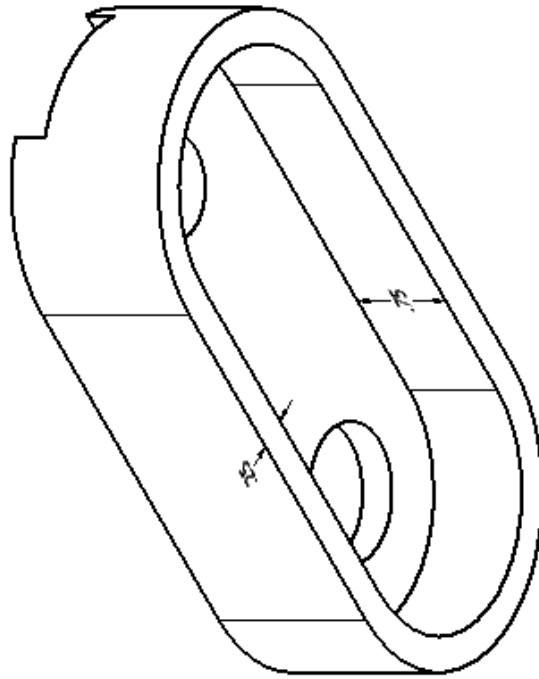
6.



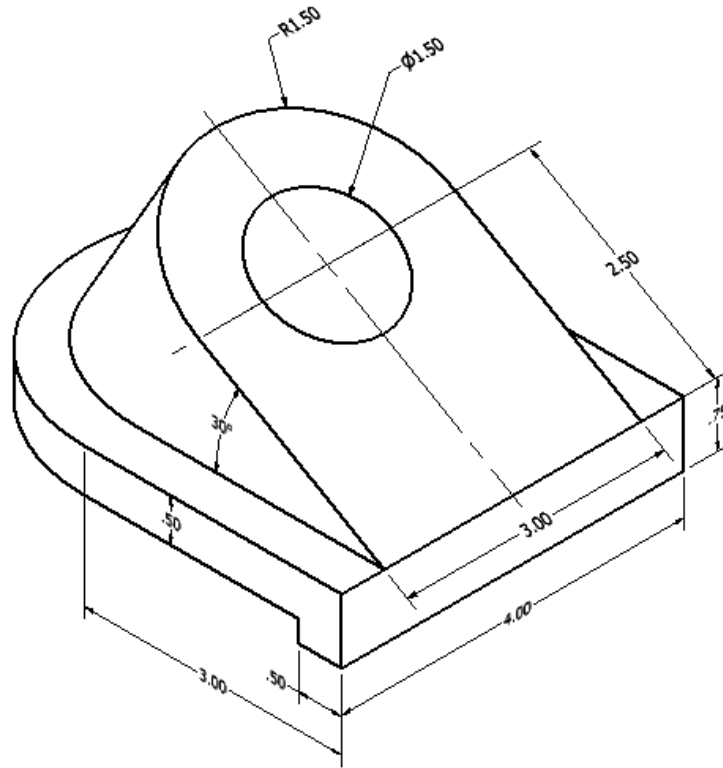
7. (Dimensions are in mm.)



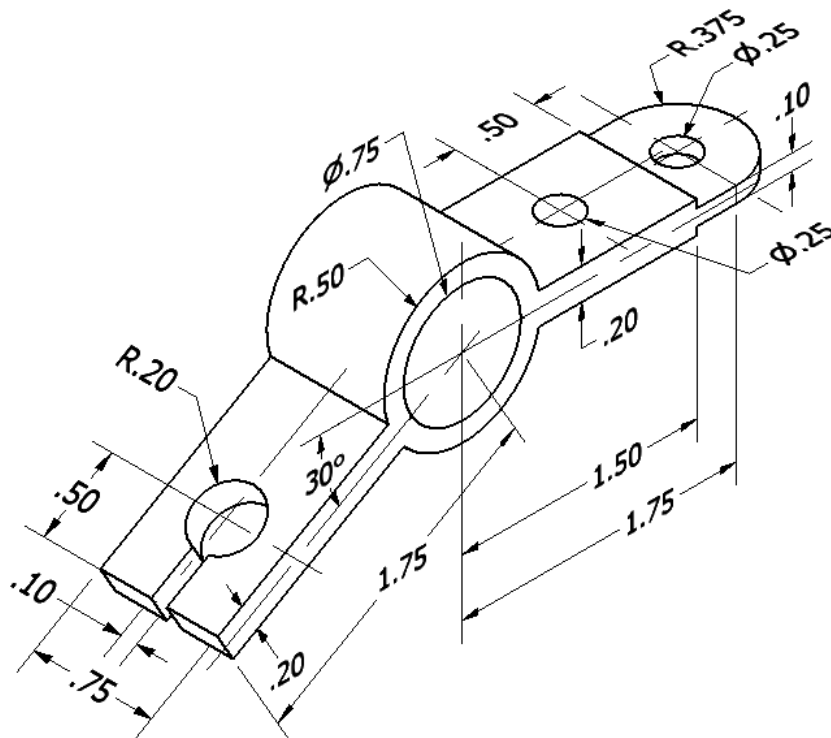
8.



9.

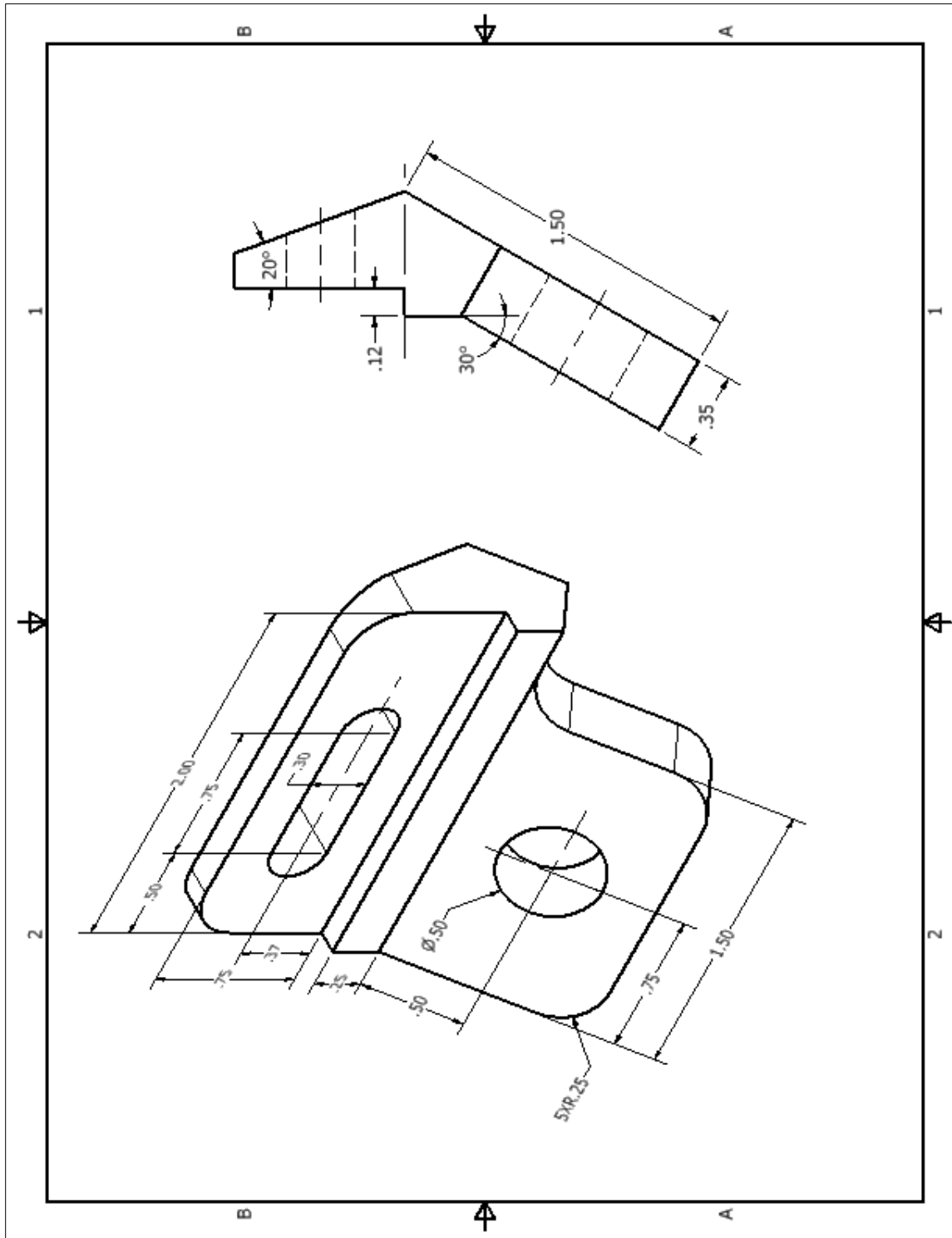


10.



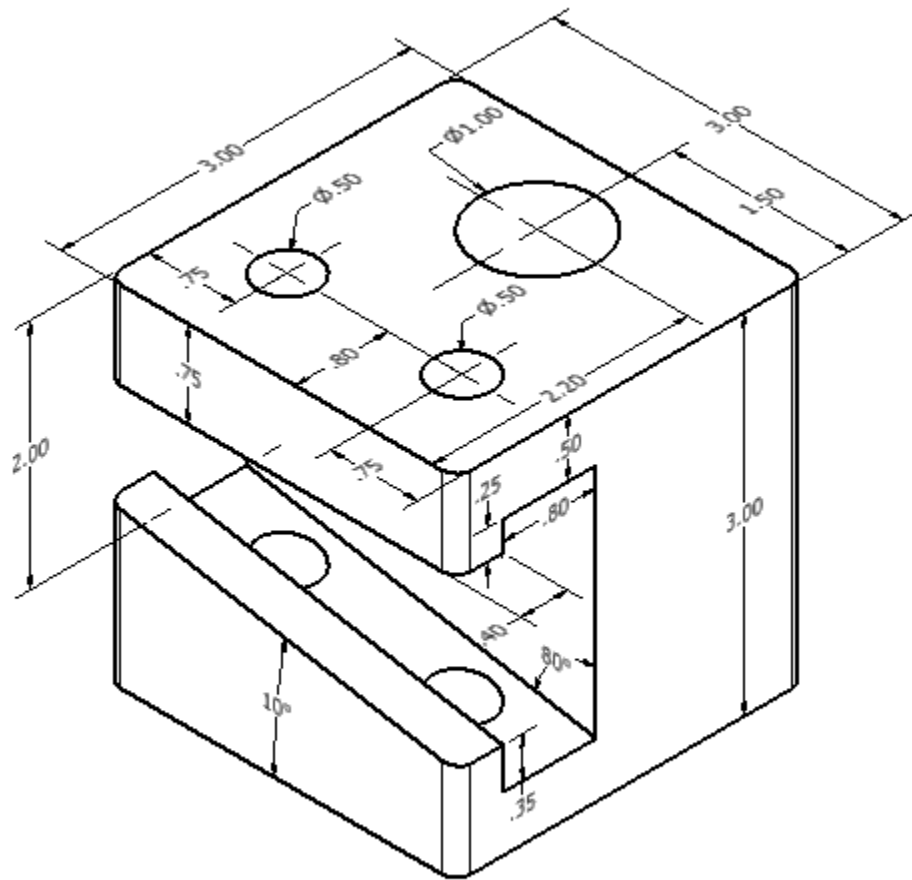


12.





13.



Rounds: R.125

14.

